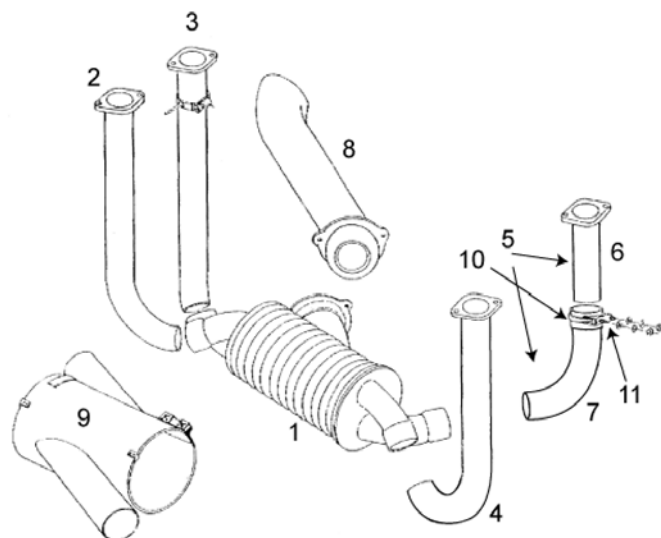


MOONEY

M-20 180 SLIP RIB



Check for baffles, cracked or heat distortions on the muffler body. Shroud must be removed for complete muffler body inspection.

Muffler outershell are hydroformed to reduce stress

ITEM	OEM PART NO	DESCRIPTION	Condition
01	630060-501	180 SLIP RIB MUFFLER	OH
02	630065-509	RF RISER	OH
03	630065-511	RR RISER	OH
04	630065-507	LF RISER	OH
05	630065-513	LR RISER ASSY	OH
06	630065-913	LR RISER UPPER	OH
07	630065-013	LR RISER LOWER	OH
08	630066-000	TAILPIPE	OH
09	630060-000	SHROUD	OH
10	C10Y-30-6C	CLAMP	NEW
11	C10X-30C	CLAMP	NEW
NS	630180-TSK	TAILPIPE SPRING KIT	NEW
NS	77611	GASKET	NEW