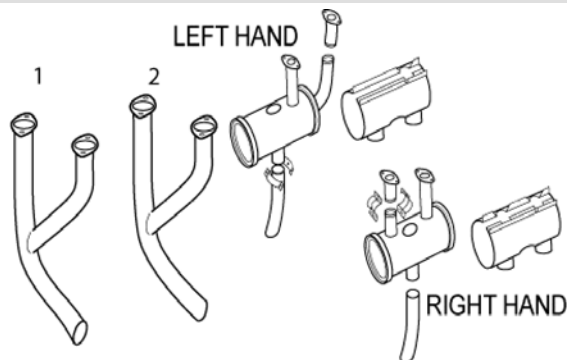


CESSNA

120/140

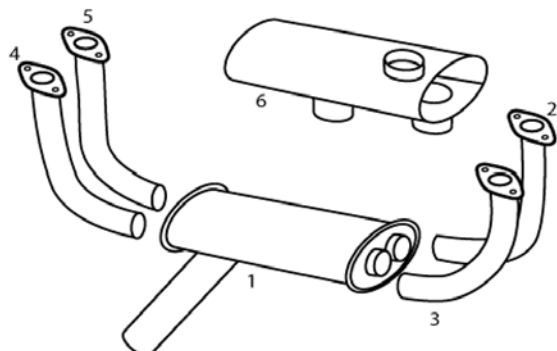


Pancake style muffler is no longer available. STC'd conversion to C-150 exhaust is available.

Conversion kit includes:
2 mufflers, 2 risers, 2 tailpipes, 2 shrouds, gaskets, riser clamps, tailpipe clamps, and attaching hardware.

ITEM	OEM PART NO	DESCRIPTION	Condition
01	0450145-1	LH STACK	OH
02	0450145-2	RH STACK	OH
03	0450400CON	C-150 CONVERSION	NEW
NS	0450227-1	RH SHROUD SET	OH
NS	0450228-1	LH SHROUD SET	OH
NS	627429	GASKET	NEW

152/172 AVCON CONVERSION



Risers Slip into muffler

Slip joints need to freely slide in and out of the muffler. The ends of the risers tubes inside the muffler tend to "mushroom out" preventing the removal, inspection and maintenance of the muffler.

Internal baffle or flame tube is required for muffler to be airworthy.

ITEM	OEM PART NO	DESCRIPTION	Condition
01	15006	AVCON MUFFLER	OH
02	15006-16	LR RISER	OH
03	15006-20	LF RISER	OH
04	15006-	RF RISER	OH
05	15006-	RR RISER	OH
06	600-00A	AVCON MUFFLER SHROUD	OH
NS	77611	GASKET	NEW