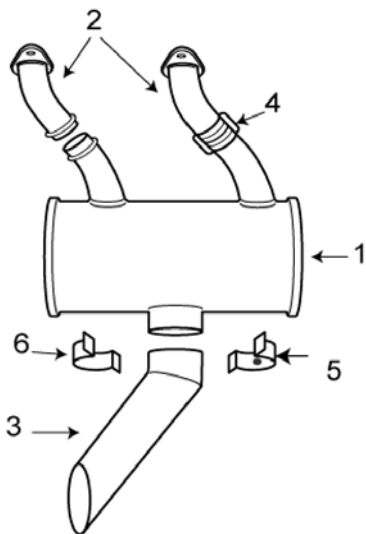


AERONCA

7 AC

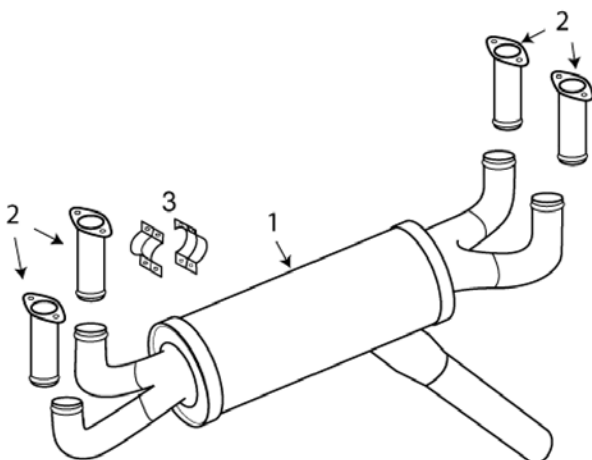


Original flanges were made of mild steel
 Inspect flanges for erosion
 Check internal baffles, must be intact to be airworthy.

ITEM	OEM PART NO	DESCRIPTION	Condition
01	4-635	MUFFLER	OH
02	192-04	RISERS	OH
03	192-06	TAIL PIPE	OH
04	RISER CLAMP	RISER CLAMP 1 1/2" HALF	NEW
05	CLAMP	TAILPIPE CLAMP WITH PIN	NEW
06	CLAMP	TAILPIPE CLAMP NO PIN	NEW
NS	192-020	SHROUD	OH
NS	627429	GASKET	NEW

AMERICAN CHAMPION AIRCRAFT

7ECA



AD 79-22-01

Internal baffles are required for mufflers to be airworthy.

ITEM	OEM PART NO	DESCRIPTION	Condition
01	099001-049	MUFFLER	OH
01	099001-189	MUFFLER	OH
02	099001-120	RISER	OH
03	RISER CLAMP	1 3/4" RISER CLAMP	NEW
NS	099001-703	MUFFLER SHROUD	OH
NS	77611	GASKET	NEW