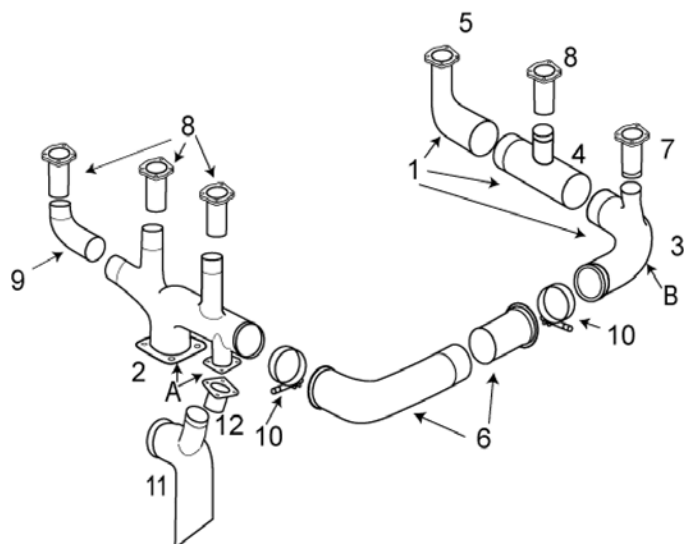


**CESSNA**

**P210N**



**AD 81-23-03R2** 50 hr inspection interval for stainless steel system applies to "N" model  
No AD on complete Inconel system

Pay special attention to the following areas:

- A Cracking and heat distortion
- B Heat distortion

Check all slip joints for freedom of movement and metal galling

ITEM	OEM PART NO	DESCRIPTION	Condition
01	2154000-11	LH STACK ASSY INC	OH
01	2154000-1S	LH STACK ASSY S/S	OH
02	2154000-36	RH COLLECTOR S/S	OH
02	2154000-55	RH COLLECTOR INC	OH
03	2154000-46	LF RISER S/S	OH
03	2154000-70	LF RISER INC	OH
04	2154000-47	LC RISER INC	OH
04	2154000-5	LC RISER S/S	OH
05	2154000-50	LR RISER INC	OH
05	2154000-7	LR RISER S/S	OH
06	2154000-27	CROSSOVER S/S	OH
06	2154000-68	CROSSOVER INC	OH
07	1250860-117	RISER	OH
08	2154002-1	RISER S/S	OH
08	2154002-3	RISER INC	OH
09	2154000-10	ELBOW S/S	OH
09	2154000-64	ELBOW INC	OH
10	24540-250	CROSSOVER CLAMP	NEW
11	2154015-1	TAILPIPE	OH
12	2154001-1	TAILPIPE ADAPTER	OH
NS	2154001-1	WASTEGATE OUTLET ASSY	OH
NS	628260	GASKET	NEW