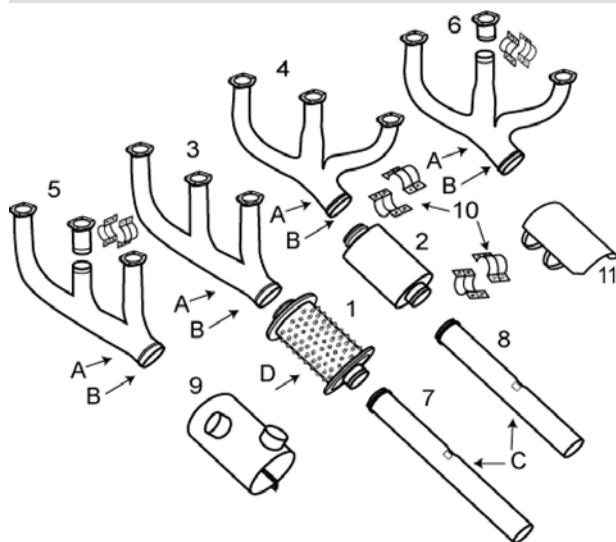


**BEECHCRAFT****35 H-P**

- A. Inspect for heat distortion & bulging
- B. Inspect beaded end for deformity and burnt away material
- C. Inspect tailpipes for pitting and wall thinning
- D. Inspect inner baffle and outer body for bulging

ITEM	OEM PART NO	DESCRIPTION	Condition
01	492-43	LH MUFFLER	OH
02	492-27	RH MUFFLER	OH
03	35-950004-5	LH STACK	OH
04	35-950004-13	RH STACK	OH
05	35-950004-73	LH STACK 2 PIECE	OH
06	35-950004-79	RH STACK 2 PIECE	OH
07	35-950004-7	LH TAIL PIPE	NEW
08	35-950004-9	RH TAIL PIPE	NEW
09	35-910019-13	SHROUD	OH
09	35-950004-71	SHROUD	OH
09	492-42	SHROUD	OH
10	35-950004-17	CLAMP HALF	NEW
11	35-950129-1	HEAT SHIELD	OH
11	95-910019-15	HEAT SHIELD	OH
NS	628260	GASKET	NEW