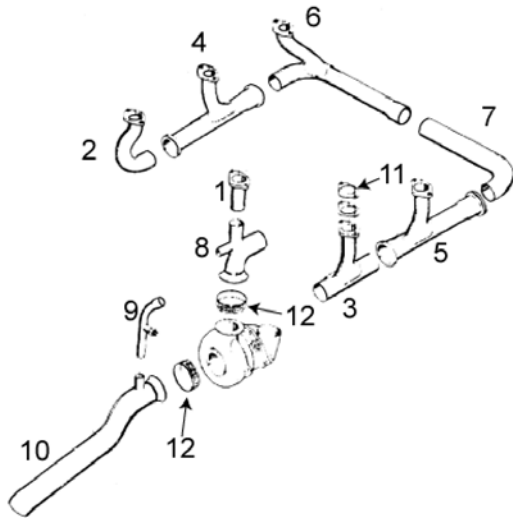


MOONEY

M20K 231



Inspect transition for internal cracks and heat blisters
 Inspect stacks for cracks and heat distortion
 Inspect by pass tube area for cracks

ITEM	OEM PART NO	DESCRIPTION	Condition
01	642220-902-2	CYL #1 RISER	OH
02	642220-102	CYL #2 RISER	OH
03	642220-103	CYL #3 RISER	OH
04	642220-104	CYL #4 RISER	OH
05	642220-902-5	CYL #5 RISER	OH
06	642220-106	CYL #6 RISER	OH
07	642220-905-1	CROSSOVER ELBOW	OH
08	642220-902-1	CROSS ASSEMBLY - HEADER	OH
09	642220-118	BY PASS ASSY	OH
10	642220-107	TAILPIPE	OH
11	970	GASKET	NEW
12	633358	TURBO CLAMP	NEW
NS	643982	TAILPIPE WITH MUFFLER GB-4 ENGINE ONLY	
NS	646051-132	BYPASS FOR GB-4 ENGINE ONLY	